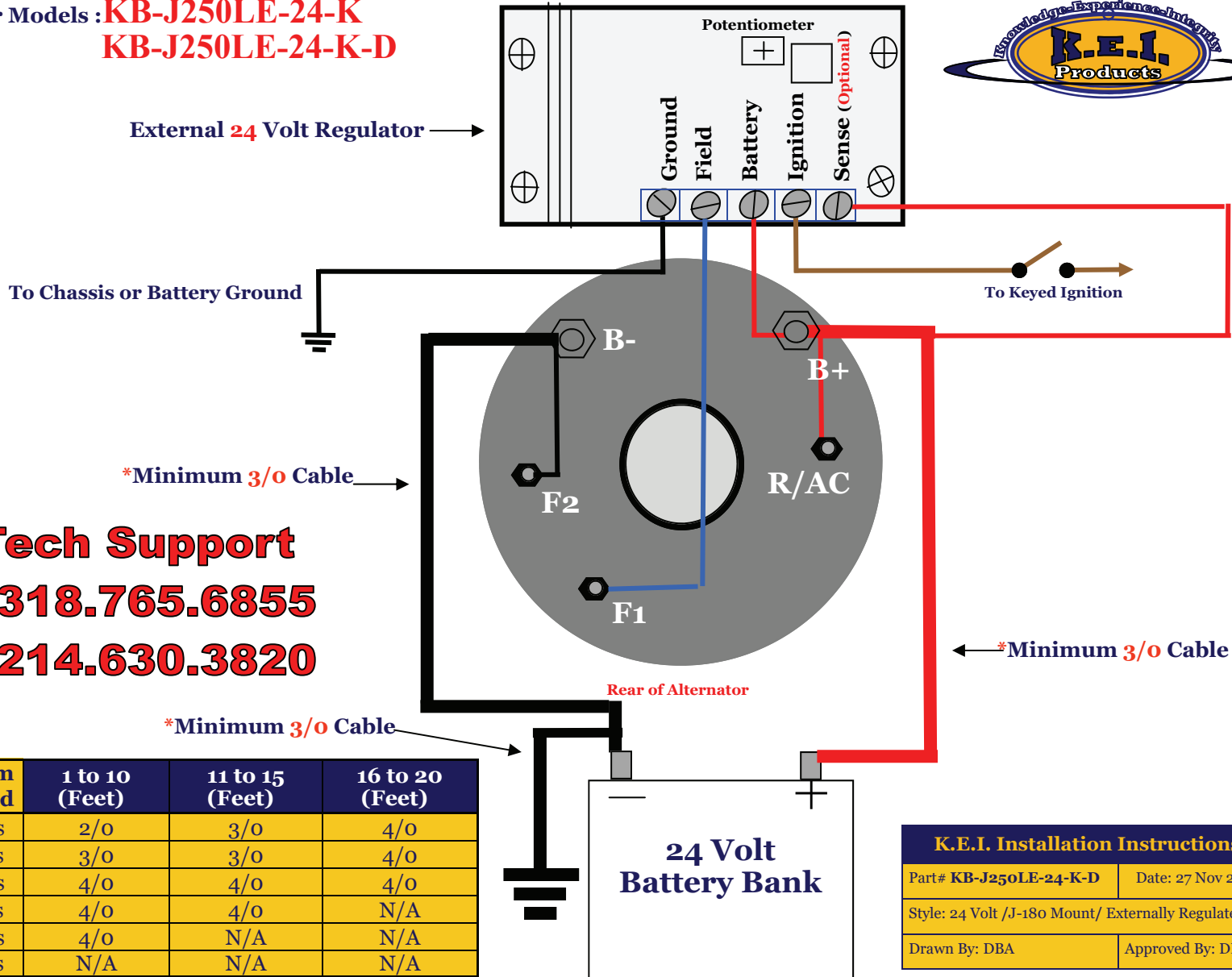


Alternator Models : **KB-J250LE-24-K**
KB-J250LE-24-K-D



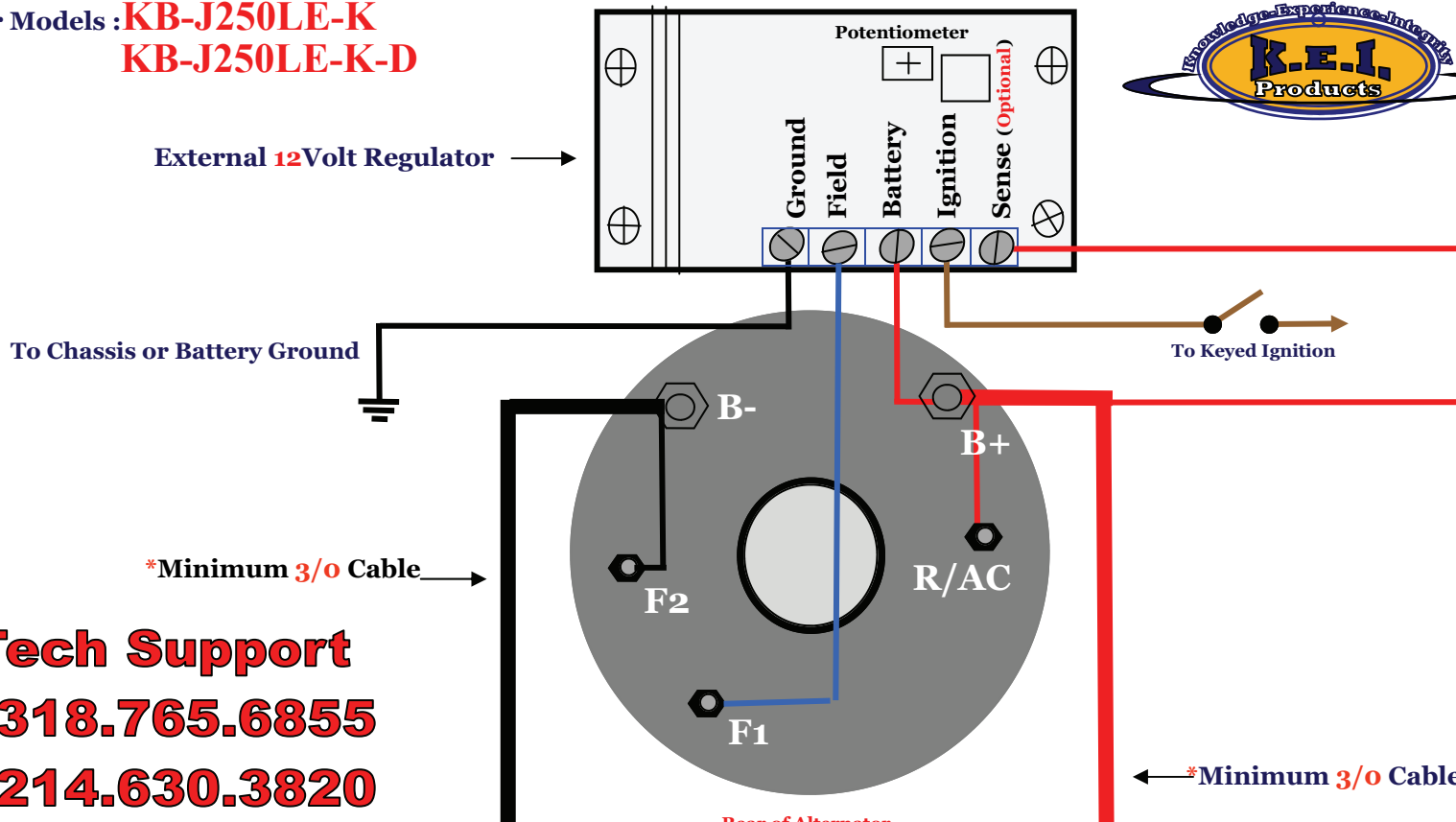
Tech Support
1.318.765.6855
1.214.630.3820

Maximum Amp Load	1 to 10 (Feet)	11 to 15 (Feet)	16 to 20 (Feet)
200 amps	2/0	3/0	4/0
250 amps	3/0	3/0	4/0
300 amps	4/0	4/0	4/0
350 amps	4/0	4/0	N/A
400 amps	4/0	N/A	N/A
450 amps	N/A	N/A	N/A

K.E.I. Installation Instructions	
Part# KB-J250LE-24-K-D	Date: 27 Nov 2015
Style: 24 Volt /J-180 Mount/ Externally Regulated	
Drawn By: DBA	Approved By: DK

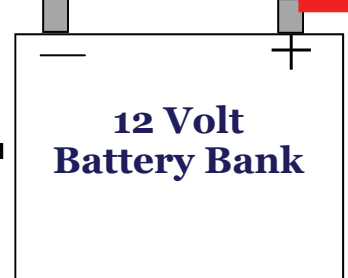
***Note:** Positive and Ground Cables from Alternator and Battery, must be upgraded to at least a minimum size Cable according to chart on this document.

Alternator Models : **KB-J250LE-K**
KB-J250LE-K-D



Tech Support
1.318.765.6855
1.214.630.3820

Maximum Amp Load	1 to 10 (Feet)	11 to 15 (Feet)	16 to 20 (Feet)
200 amps	2/0	3/0	4/0
250 amps	3/0	3/0	4/0
300 amps	4/0	4/0	4/0
350 amps	4/0	4/0	N/A
400 amps	4/0	N/A	N/A
450 amps	N/A	N/A	N/A



K.E.I. Installation Instructions	
Part# KB-J250LE-K-D	Date: 27 Nov 2015
Style: 12 Volt /J-180 Mount/ Externally Regulated	
Drawn By: DBA	Approved By: DK

***Note:** Positive and Ground Cables from Alternator and Battery, must be upgraded to at least a minimum size Cable according to chart on this document.



K.E.I. 2350 W. Commerce, Dallas, TX 75212

Alternator Models: **KB-J350LI / KB-J375LI / KB-J400LI / KB-J435LI / KB-J500LI**

Self-Excite Alternators

Black Wire*: from Rear Ground To Battery Ground or Chassis Ground

Red Wire*: from Rear Positive Post to Battery Positive Post.

*Minimum 3/0 Cable

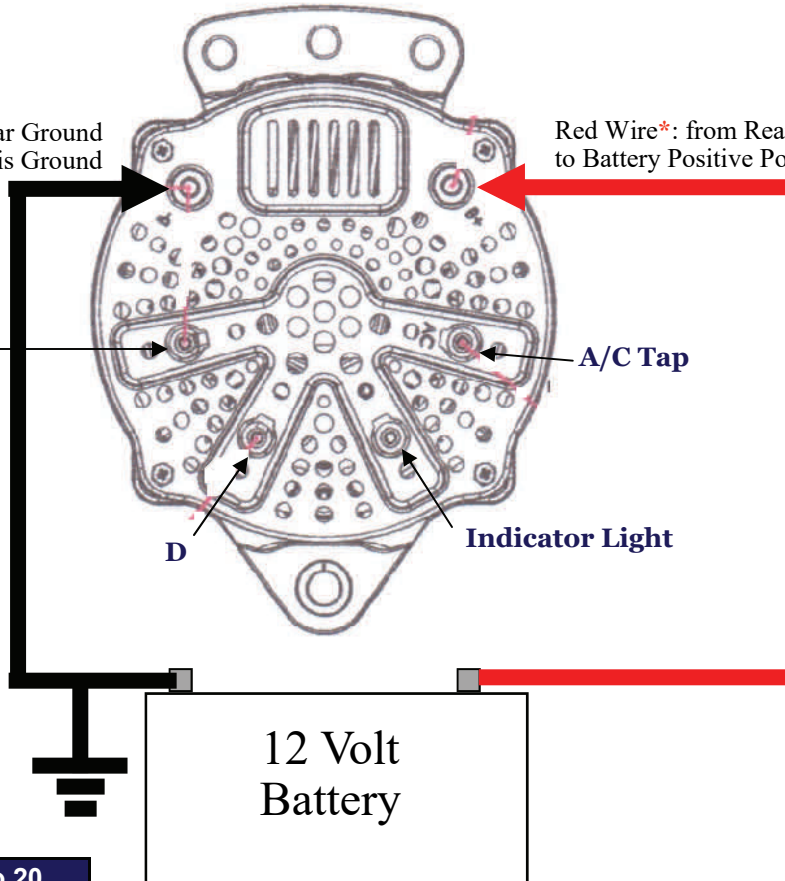
*Minimum 3/0 Cable

Remote Sense

A/C Tap

D

Indicator Light



Maximum Amp Load	1 to 10 (Feet)	11 to 15 (Feet)	16 to 20 (Feet)
200 amps	2/0	3/0	4/0
250 amps	3/0	3/0	4/0
300 amps	4/0	4/0	4/0
350 amps	4/0	4/0	N/A
400 amps	4/0	N/A	N/A
450 amps	N/A	N/A	N/A

Tech Support
1.214.630.3820

K.E.I. Installation Instructions

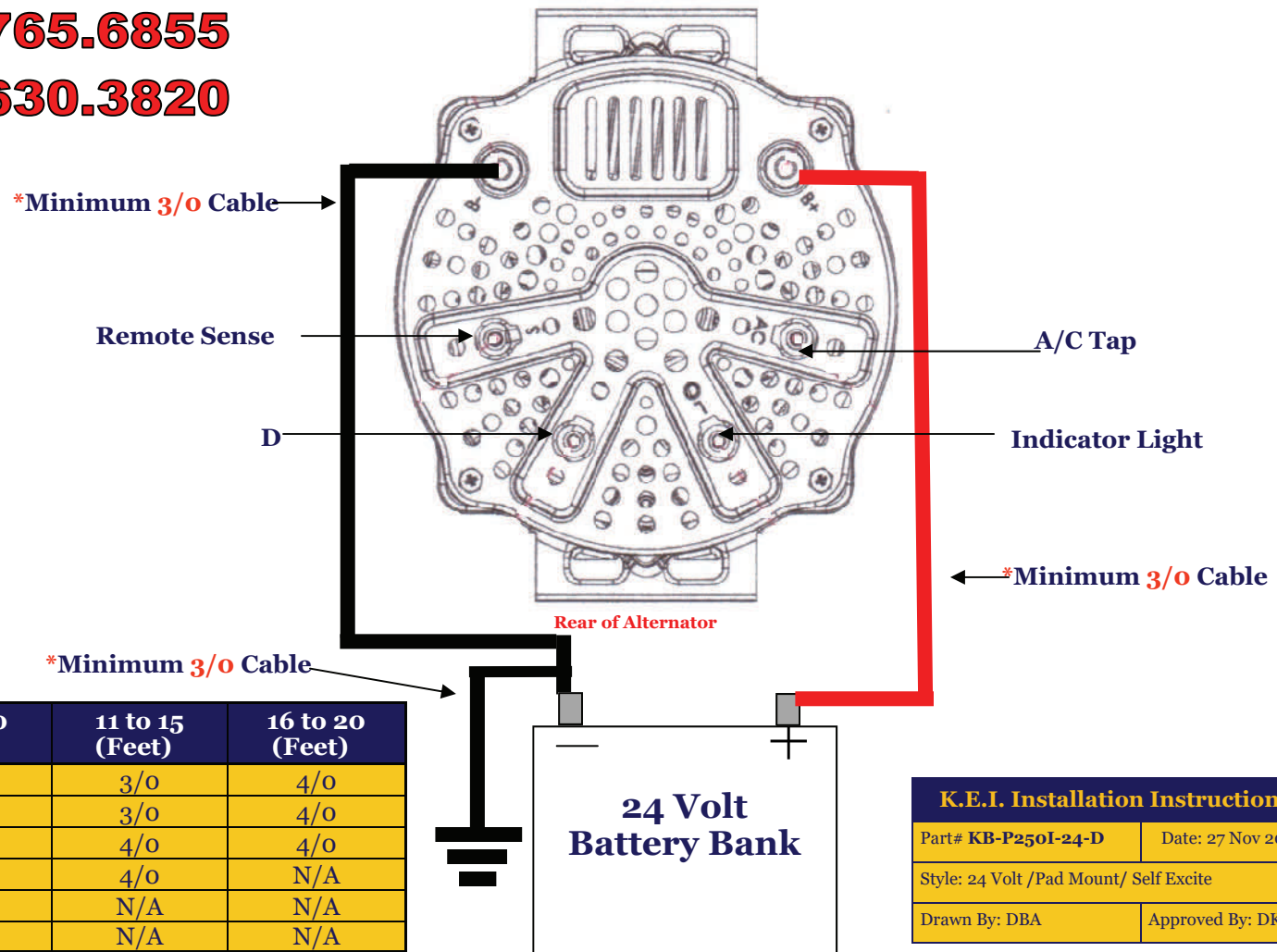
Part# KB-J Series	Date: 16 Dec 2015
Style: 12 Volt /J180-Mount/ Internally Regulated	
Drawn By: DBA	Approved By: DK

*Note: Positive and Ground Cables from Alternator and Battery, must be upgraded to at least a minimum size Cable according to chart on this document.

Alternator Models : **KB-P250I-24-D**
KB-P250I-24



Tech Support
1.318.765.6855
1.214.630.3820

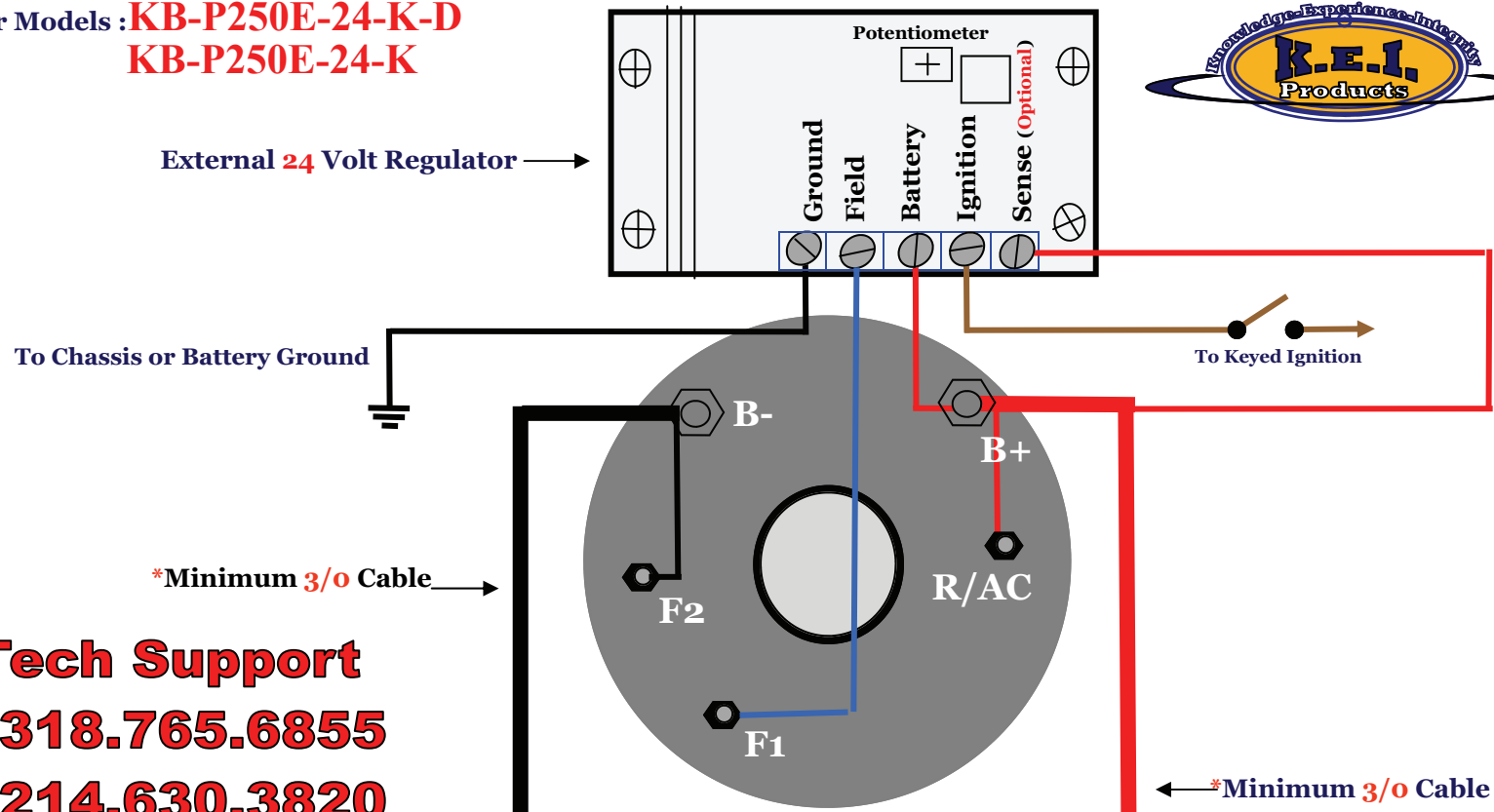


Maximum Amp Load	1 to 10 (Feet)	11 to 15 (Feet)	16 to 20 (Feet)
200 amps	2/0	3/0	4/0
250 amps	3/0	3/0	4/0
300 amps	4/0	4/0	4/0
350 amps	4/0	4/0	N/A
400 amps	4/0	N/A	N/A
450 amps	N/A	N/A	N/A

K.E.I. Installation Instructions	
Part# KB-P250I-24-D	Date: 27 Nov 2015
Style: 24 Volt / Pad Mount/ Self Excite	
Drawn By: DBA	Approved By: DK

***Note:** Positive and Ground Cables from Alternator and Battery, must be upgraded to at least a minimum size Cable according to chart on this document.

Alternator Models : **KB-P250E-24-K-D**
KB-P250E-24-K



Tech Support
1.318.765.6855
1.214.630.3820

Maximum Amp Load	1 to 10 (Feet)	11 to 15 (Feet)	16 to 20 (Feet)
200 amps	2/0	3/0	4/0
250 amps	3/0	3/0	4/0
300 amps	4/0	4/0	4/0
350 amps	4/0	4/0	N/A
400 amps	4/0	N/A	N/A
450 amps	N/A	N/A	N/A

K.E.I. Installation Instructions	
Part# KB-P250E-24-K-D	Date: 28 Nov 2015
Style: 24 Volt Pad Mount/ Externally Regulated	
Drawn By: DBA	Approved By: DK

***Note:** Positive and Ground Cables from Alternator and Battery, must be upgraded to at least a minimum size Cable according to chart on this document.



K.E.I. 2350 W. Commerce, Dallas, TX 75212

Alternator Models: **KB-P350I /KB-P375I /KB-P400I /KB-P435I /KB-P500I**

Self-Excite Alternators

Black Wire*: from Rear Ground
To Battery Ground or Chassis Ground

Red Wire*: from Rear Positive Post
to Battery Positive Post.

*Minimum 3/0 Cable

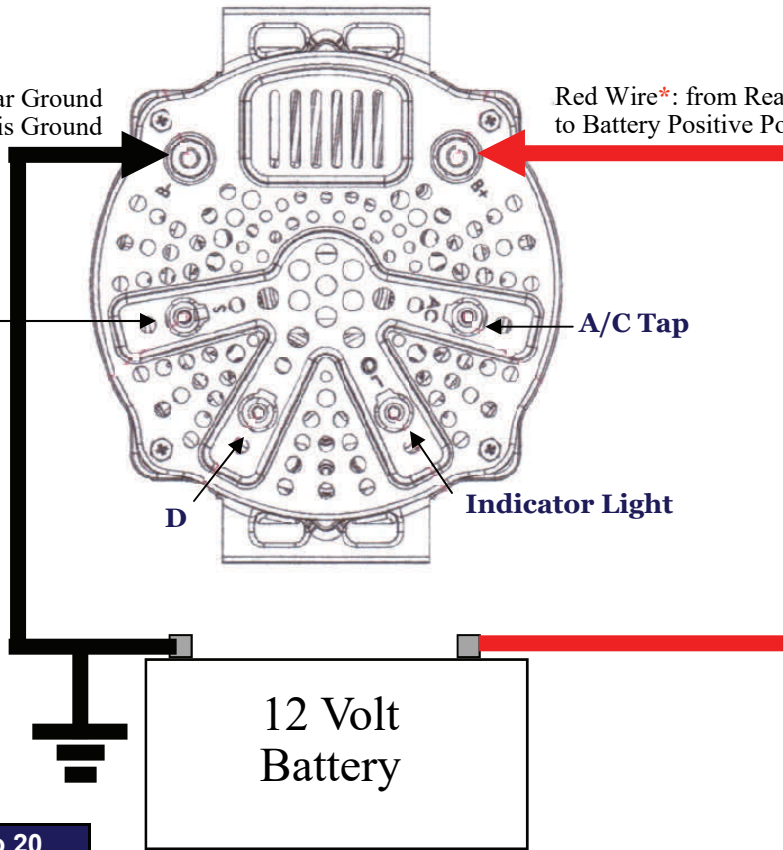
*Minimum 3/0 Cable

Remote Sense

A/C Tap

D

Indicator Light



Maximum Amp Load	1 to 10 (Feet)	11 to 15 (Feet)	16 to 20 (Feet)
200 amps	2/0	3/0	4/0
250 amps	3/0	3/0	4/0
300 amps	4/0	4/0	4/0
350 amps	4/0	4/0	N/A
400 amps	4/0	N/A	N/A
450 amps	N/A	N/A	N/A

Tech Support
1.214.630.3820

K.E.I. Installation Instructions

Part# KB-P Series	Date: 16 Dec 2015
Style: 12 Volt /Pad Mount/ Internally Regulated	
Drawn By: DBA	Approved By: DK

***Note:** Positive and Ground Cables from Alternator and Battery, must be upgraded to at least a minimum size Cable according to chart on this document.